

Honeywell

LIMIT SWITCH

CATALOGUE LISTING
GLS
CHART NO.
MTG-GL-181

MTG-GL-181

REPLACES

DRAWING NUMBER

AO 18-36

RELEASE NUMBER

ISSUE

BY

DATE

REVISIONS

NO.

DATE

BY

DATE

BY

DATE

BY

DATE

BY

DATE

BY

DATE

BY

DATE

BY

DATE

BY

DATE

BY

DATE

BY

DATE

BY

DATE

BY

DATE

BY

DATE

BY

DATE

BY

DATE

BY

DATE

BY

DATE

BY

DATE

BY

DATE

BY

DATE

BY

DATE

BY

DATE

BY

DATE

BY

DATE

BY

DATE

BY

DATE

BY

DATE

BY

DATE

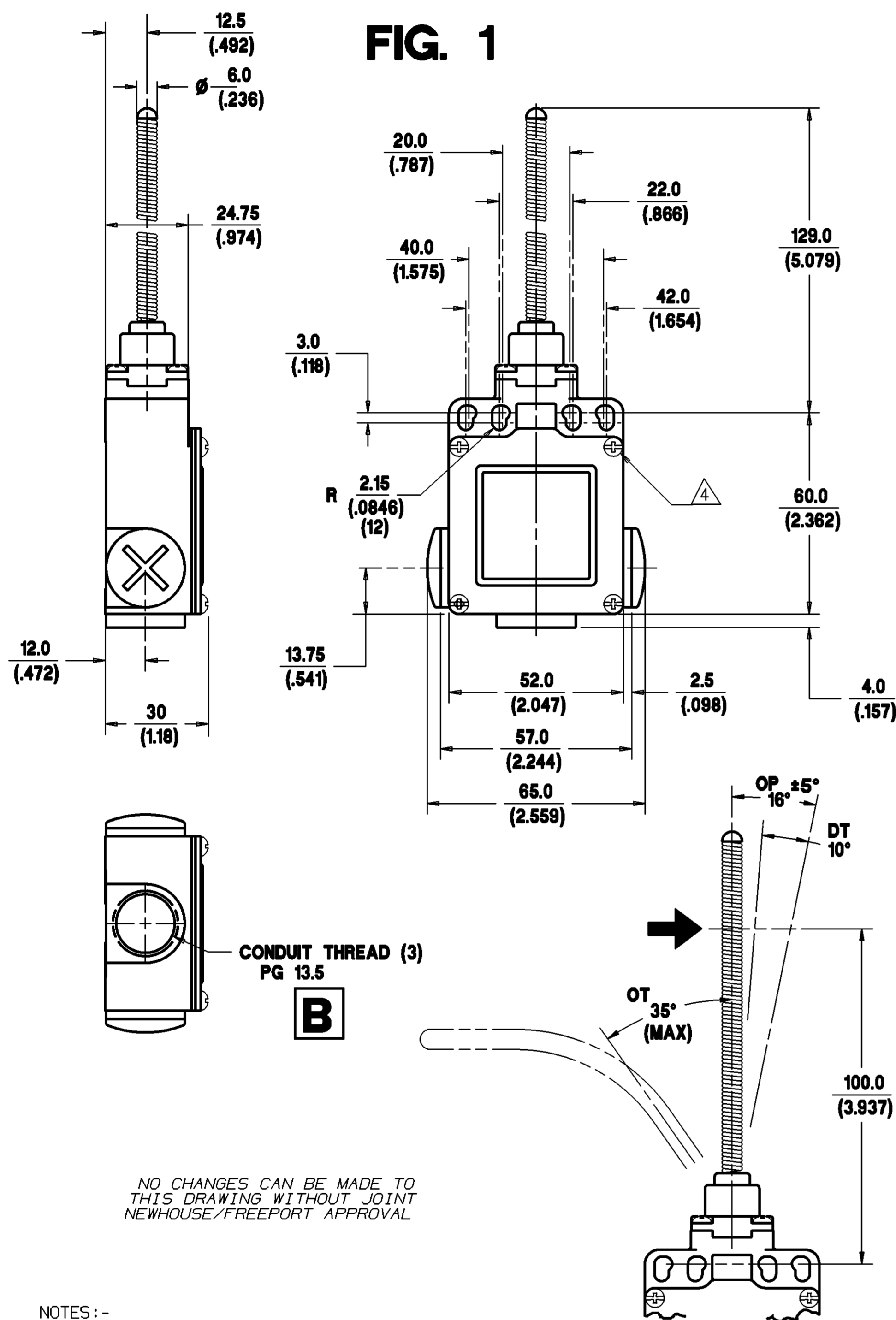
BY

DATE

BY

DATE

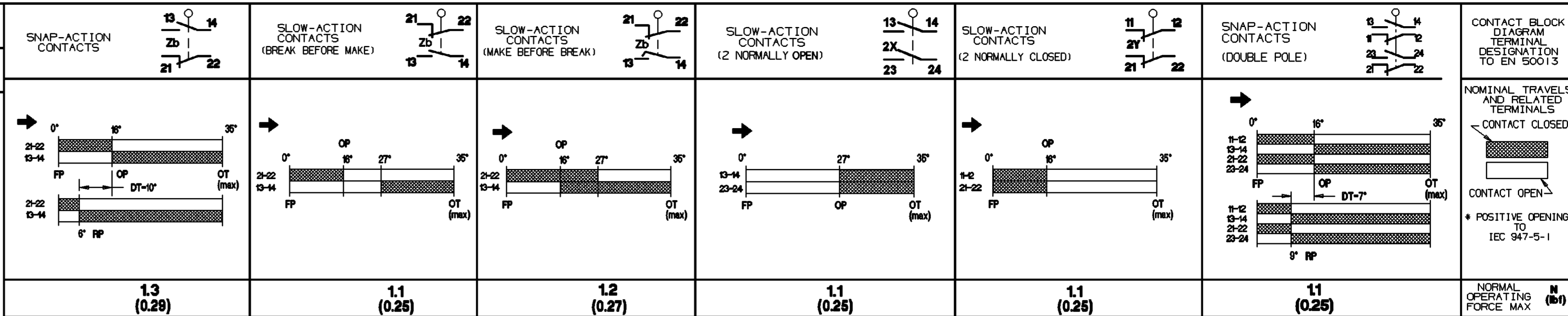
FIG. 1



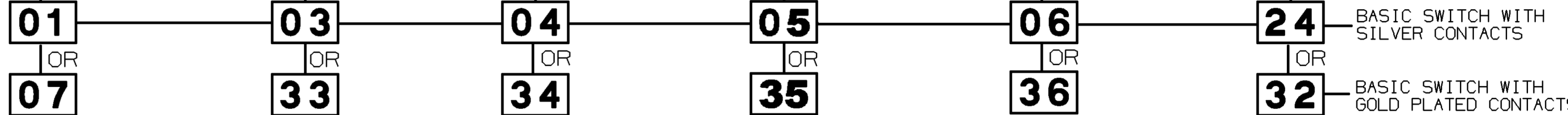
NO CHANGES CAN BE MADE TO THIS DRAWING WITHOUT JOINT NEWHOUSE/FREEPORT APPROVAL

NOTES:-

- ZINC DIECAST BODY AND HEAD WITH STEEL COVER. BODY AND COVER FINISHED IN MICRO SWITCH BLUE EPOXY PAINT. HEAD FINISHED IN BLACK EPOXY PAINT.
 - MINIMUM OPERATING VELOCITY (V_{min}) = 0.13 rad/s
MAXIMUM OPERATING VELOCITY (V_{max}) = 13 rad/s
MAXIMUM OPERATING FREQUENCY (F_{max}) = 250 OPS/MIN
 - FREE POSITION (FP), OPERATING POINT (OP), OVERTRAVEL (OT) AND PRETRAVEL (PT) ALL TO EN50047.
- △ MAXIMUM TIGHTENING TORQUE FOR FIXING SCREW = 0.5Nm (4.4in.LB)



CONTACT BLOCK DIAGRAM TERMINAL DESIGNATION TO EN 50013
NOMINAL TRAVELS AND RELATED TERMINALS
CONTACT CLOSED
CONTACT OPEN
* POSITIVE OPENING TO IEC 947-5-1
NORMAL OPERATING FORCE MAX (N) (lb)



BASIC SWITCH
CONDUIT THREAD (SEE FIGS. 1 & 2)
EN50047 BODY TYPE (SEE FIG. 1)
1/2" NPT X 14 CONDUIT THREAD ADAPTER
PG 13.5 CONDUIT THREAD
M20 X 1.5 CONDUIT THREAD
PF 1/2 CONDUIT THREAD
WOBBLE ACTUATOR (SEE FIG. 1)
MODIFICATION CODE

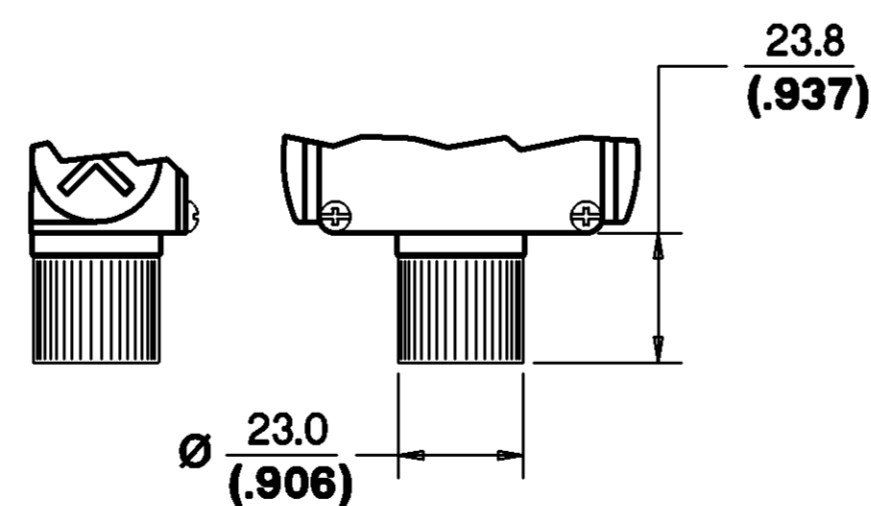
GLE **X** **XX** **E7B** - **XXXX**

- A** 01
- B** 03
- C** 04
- D** 05
- 06
- 07
- 33
- 34
- 35
- 36

- C021** CABLE 5 WIRE, WITH GROUND. LAST CHARACTER IS CABLE LENGTH I = 1MTR. CABLE LENGTHS ARE FROM 1 TO 9 METRES. ONLY AVAILABLE WITH CONDUIT THREAD TYPE 'B'.
- Q01** CONNECTOR, 4 PIN MICRO. ONLY AVAILABLE WITH CONDUIT THREAD TYPE 'B'.
- Q02** CONNECTOR, 5 PIN MICRO TWIN KEYWAY. ONLY AVAILABLE WITH CONDUIT THREAD TYPE 'B'.
- Q03** CONNECTOR, 4 PIN MINI. ONLY AVAILABLE WITH CONDUIT THREAD TYPE 'B'.
- Q04** CONNECTOR, 5 PIN MINI. ONLY AVAILABLE WITH CONDUIT THREAD TYPE 'B'.
- Q07** CONNECTOR, 5 PIN MICRO. ONLY AVAILABLE WITH CONDUIT THREAD TYPE 'B'.

NOTE:- ANY STANDARD LISTING WITH SUFFIX 'RS' OR 'FE' IS PERMITTED.

FIG. 2



1/2" NPT X 14 CONDUIT THREAD ADAPTER **A**

NOTE: FOR CONNECTION DIAGRAMS AND ADDITIONAL ELECTRICAL, ENVIRONMENTAL & DIMENSIONAL INFORMATION SEE DRAWING GL-49212.

NOTE:- CABLE AND CONNECTOR WILL BE FITTED TO BOTTOM EXIT CONDUIT ONLY. OTHER OPTIONS CUSTOMER SPECIAL 'N' LISTING.

| | | | | | | |
|--------------------------|------------------------|------------------------|------------------------|---|--|------------------------------|
| STANDARD SILVER CONTACTS | | GOLD PLATED CONTACTS | | ENVIRONMENTAL | | APPROVALS |
| ELECTRICAL RATING | | ELECTRICAL RATING | | ENVIRONMENTAL | | APPROVALS |
| AC | | DC | | IP66 NEMA 1, 4, 12, 13 | | UL IEC 947-5-1 EN50047 |
| A300 U _e | AC15 I _e | O300 U _e | DC13 I _e | TEMP RANGE : -25°C TO 85°C -13°F TO 185°F STORAGE : -40°C TO 85°C -40°F TO 185°F | | |
| VOLTS | AMPS | VOLTS | AMPS | SHOCK : 50G PER IEC 68-2-27 VIBRATION : 10G PER IEC 68-2-6 | | |
| 120 | 6 | 125 | 0.55 | I _{th} = 10A | | |
| 240 | 3 | 250 | 0.27 | IV 10μA MIN. 50V 100mA MAX. | | |

SCALE 1:1 DIMENSIONS ARE IN MM/INCHES. MODIFY ON CAD SYSTEM ONLY

THE COPYRIGHT OF THIS DRAWING IS THE PROPERTY OF HONEYWELL LTD. THE DRAWING IS SUPPLIED IN CONFIDENCE AND MUST NOT BE USED FOR ANY PURPOSE OTHER THAN THAT FOR WHICH IT IS SUPPLIED.

THIRD ANGLE PROJECTION

3/92 M. LOCH
3/92 I. WEIR
3/92 J. BOYD
3/92 AUTHOR: P. TRICKETT